

# PARTS LIST

## *Easy* Cover

Easy Cover Tarping System  
For Dumps

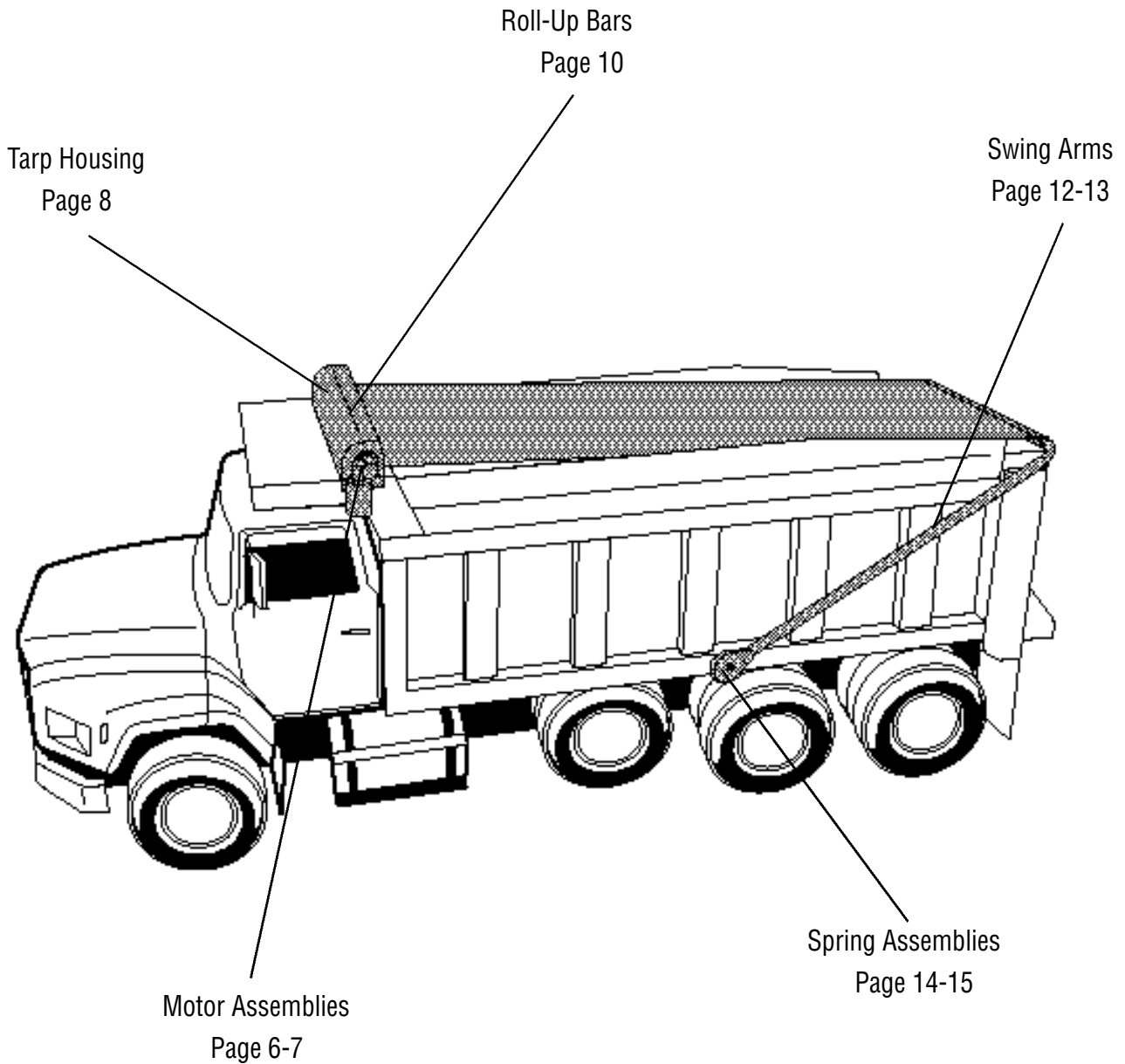


Attention Dealers:  
Please give this manual to the customer when the  
product is delivered.

 **Aero**  
Industries, Inc.

# TABLE OF CONTENTS

**Easy**  
Cover



INDIANAPOLIS, IN  
800-535-9545  
317-244-1311

OMAHA, NE  
800-535-8552  
FAX: 402-895-6129

HAMBURG, PA  
800-535-3665  
FAX: 610-562-0340

STREETSBORO, OH  
888-237-2262  
FAX: 330-626-3277

BURLINGTON, ON  
800-465-8277  
FAX: 905-335-8499



# TABLE OF CONTENTS

Crank Assemblies	
Easy Cover 200/225/250/275	Page 2
Easy Cover 300/325/350/375	Page 3
Easy Cover 400/425/450/475	Page 4-5
Motor Assemblies	
Motor Assembly Power Pro	Page 6
Motor Assembly Power Plus	Page 7
Tarp Housing Without Motor	
Easy Cover 400/425/450/475/500/525/550/575	Page 8
Electric Hardware for Tarp Housing	
Easy Cover 500/525/550/575	Page 9
Wind Deflectors, End Plates	
200/225/250/275-500/525/550/575 Wind Deflectors	Page 10
500/525/550/575 Mounting Plates	Page 10
Roll-Up Bars	Page 11
Swing Arms	
Easy Cover 225/325/425/525 Aluminum Arms	Page 12
Easy Cover 275/375/475/575 Aluminum Arms	Page 12
Easy Cover 200/300/400/500 Steel Arms	Page 13
Spring Assemblies	
Undermount/Underbody 200/250-500/550	Page 14
Sidemount Springs (Powerpack 525/575)	Page 15
Replacement Parts	
Sidemount Spring Assembly	Page 16
200-500 Steel Swing Arm	Page 16
200-500 Steel Aluminum Arm	Page 16
Electrical Hardware	Page 17

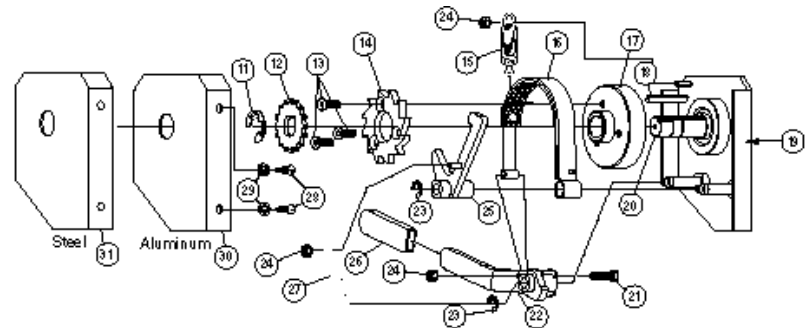
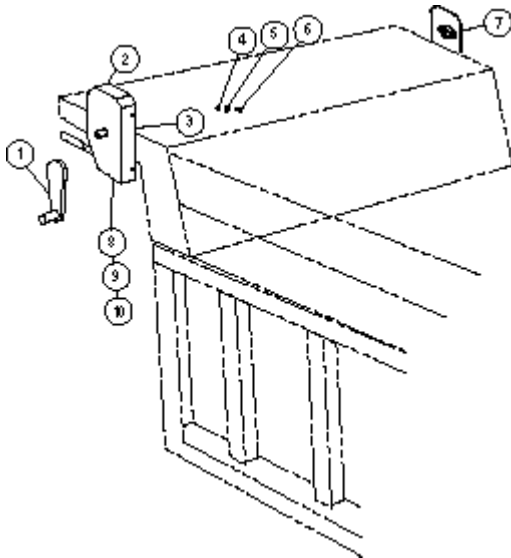


# CRANK ASSEMBLIES

## Easy Cover 200/250/275

Crank Assembly

Crank Assembly #0311-960354 w/Steel Cover  
Crank Assembly #0311-961804 w/Aluminum Cover



## Easy Cover 200/250 Parts List

Part No.	Description
1	0311-960301 Crank Handle #200 - #400
2	0311-960354 Crank Assy. #200 Steel
3	0311-961804 Crank Assy. #250-#275 Aluminum
4	0815-660702 Nut Square 1/4"-20 Zinc
5	0820-680725 Washer Split Lock 1/4" Zinc
6	0810-670905 Bolt Phillips Pan Head 1/4"-20 x 1/2"
7	0311-960305 Mounting Plate P.S. Steel #100-#500
8	0815-660640 Nut Hex 3/8 - 16 Zinc
9	0820-680610 Washer Split Lock 3/8" Zinc
10	0810-670650 Bolt HHCS 3/8"-16 x 1" Grade 2 Zinc
11	0840-618510 Ring Snap 1" External
12	0750-619592 Sprocket 40A16
13	0825-650886 Screw FHSCS 5/16 - 24 x 3/4" Zinc
14	0311-860740 Ratchet #200-#475
15	0715-619800 Spring Brake Band #200 - #475
16	0311-960739 Brake Band Assy. #200-#475
17	0311-860730 Brake Hub #200-#475

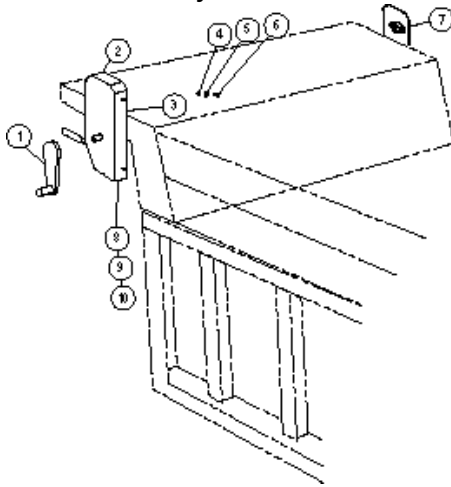
Part No.	Description
18	0840-618513 Key 6 mm x 2 1/4" Zinc
19	0311-960741 Crank Base Plate Assy. #200-#275
20	0311-860733 Shaft Crank #200-#275
21	0810-650472 Bolt HHCS 1/4 - 20 x 1 1/2" Zinc
22	0311-960736 Brake Handle Assy. #200-#475
23	0840-618511 Ring Snap 1/2" External
24	0815-660451 Nut Hex. 1/4"-20 Nylon Insert
25	0311-960728 Pawl Assy. #200-#400
26	0765-618830 Brake Handle Rubber Grip #200-#475
27	0715-619602 Spring Pawl #200 - #475
28	0825-670889 Screw PH Pan Mach 1/4"-20 x 3/4"
29	0820-680216 Washer Lock Inner Tooth 1/4" Zinc
30	0311-960847 Crank Cover #250-#275 Alum-Polished
31	0311-960594 Crank Cover #200 Steel

Reverse (counter-clockwise) crank assemblies available.  
Call for Details

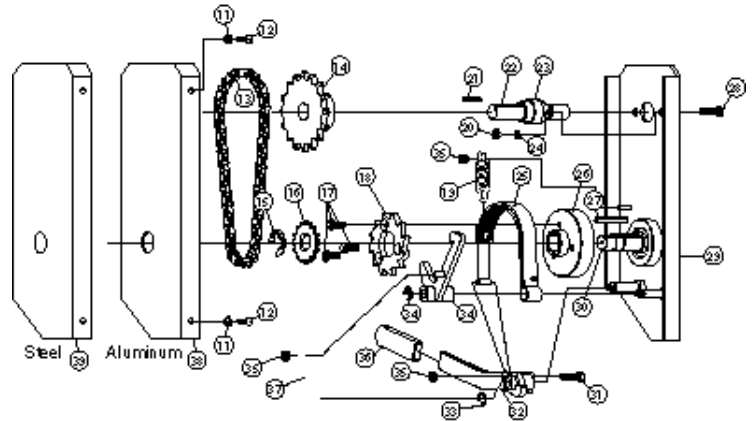


## Easy Cover 300/350/375

### Crank Assembly



Crank Assembly #0311-960355 (Steel)  
Crank Assembly #0311-961806 (Aluminum)



## Easy Cover 300/350 Parts List

Part No.	Description
1	0311-960301 Crank Handle #200 - #400
2	0311-960355 Crank Assy. #300 Steel
3	0311-961806 Crank Assy. #350-#375 Aluminum
4	0815-660702 Nut Square 1/4"-20 Zinc
5	0820-680725 Washer Split Lock 1/4" Zinc
6	0810-670905 Bolt Phillips Pan Head 1/4"-20 x 1/2"
7	0311-960305 Mounting Plate P.S. Steel #100-#500
8	0815-660640 Nut Hex 3/8 - 16 Zinc
9	0820-680610 Washer Split Lock 3/8" Zinc
10	0810-670650 Bolt HHCS 3/8"-16 x 1" Grade 2 Zinc
11	0820-680216 Washer Lock Inner Tooth 1/4" Zinc
12	0825-670889 Screw PH Pan Mach 1/4"-20 x 3/4"
13	0720-603554 Chain Roller #40 32"
14	0750-619594 Sprocket 40B30
15	0840-618510 Ring Snap 1" External
16	0750-619592 Sprocket 40A16
17	0825-650886 Screw FHSCS 5/16 - 24 x 3/4" Zinc
18	0311-860740 Ratchet #200-#475
19	0715-619800 Spring Brake Band #200 - #475
20	0815-660451 Nut Hex. 1/4"-20 Nylon Insert
21	0840-618518 Key 1/4" x 1" Zinc

Part No.	Description
22	0311-860724 Shaft Crank Upper #300-#375
23	0710-602155 Bearing Flange 1" Bore 2 Hole
24	0820-680610 Washer Split Lock 3/8" Zinc
25	0311-960739 Brake Band Assy. #200-#475
26	0311-860730 Brake Hub #200-#475
27	0840-618513 Key 6 mm x 2 1/4" Zinc
28	0810-670650 Bolt HHCS 3/8"-16 x 1" Grade 2 Zinc
29	0311-960742 Crank Base Plate Assy. #300-#375
30	0311-860732 Shaft Crank #300-#475
31	0810-650472 Bolt HHCS 1/4 - 20 x 1 1/2" Zinc
32	0311-960736 Brake Handle Assy. #200-#475
33	0840-618511 Ring Snap 1/2" External
34	0311-960728 Pawl Assy. #200-#400
35	0815-660451 Nut Hex. 1/4"-20 Nylon Insert
36	0765-618830 Brake Handle Rubber Grip #200-#475
37	0715-619602 Spring Pawl #200 - #475
38	0311-960848 Crank Cover #350-#375 Aluminum
39	0311-960595 Crank Cover #300 Steel

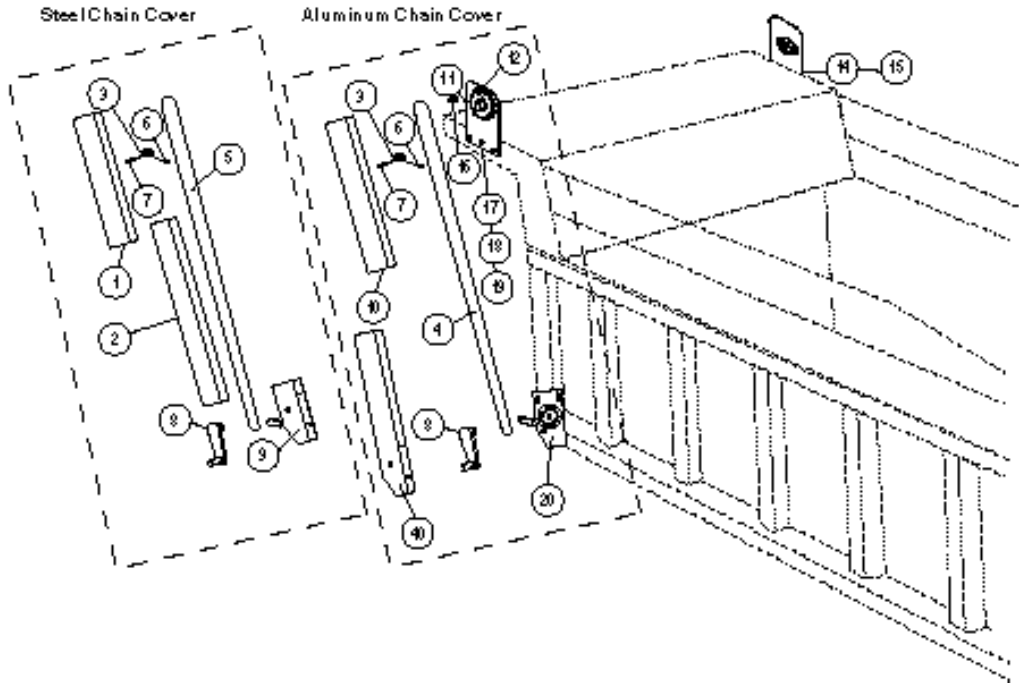
Reverse (counter-clockwise) crank assemblies available.  
Call for Details

# CRANK ASSEMBLIES

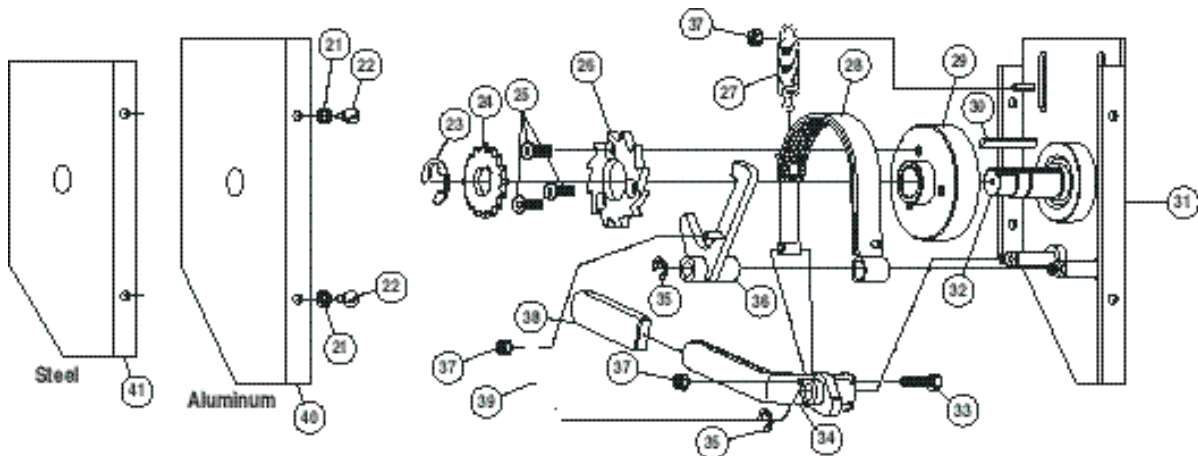


## Easy Cover 400/450/475

Crank Assembly, End Plates, and Chain Covers



Crank Assembly #0311-960356 w/Steel Cover  
 Crank Assembly #0311-961214 w/Aluminum Cover



INDIANAPOLIS, IN  
 800-535-9545  
 317-244-1311

OMAHA, NE  
 800-535-8552  
 FAX: 402-895-6129

HAMBURG, PA  
 800-535-3665  
 FAX: 610-562-0340

STREETSBORO, OH  
 888-237-2262  
 FAX: 330-626-3277

BURLINGTON, ON  
 800-465-8277  
 FAX: 905-335-8499

Part No.	Description
1	0311-960597 Chain Cover Upper #400 Steel
2	0311-860598 Chain Cover Lower #400 Steel
3	0311-860599 Chain Cover Mounting Bracket #400 - #475
4	0720-603557 Chain Roller #40 168"
5	0720-603554 Chain Roller #40 32"
6	0825-670459 Screw HWH #14 x 1/2" Type F Zinc
7	0825-670460 Screw HWH #14 x 1" Type F Zinc
8	0311-960301 Crank Handle #200 - #400
9	0311-960356 Crank Assy. #400 Steel
10	0311-961818 Chain Cover Upper #450-#475 Aluminum
11	0311-960306 Mounting Plate D.S. Steel #400
12	0311-961813 Mounting Plate D.S. Aluminum #400 - #475
13	0750-619594 Sprocket 40B30
14	0311-961812 Mounting Plate P.S. Aluminum #400 - #575
15	0311-960305 Mounting Plate P.S. Steel 100- #500
16	0840-618512 Key 1/4" x 1-1/2" Zinc
17	0815-660640 Nut Hex 3/8 - 16 Zinc
18	0820-680610 Washer Split Lock 3/8" Zinc
19	0810-670650 Bolt HHCS 3/8"-16 x 1" Grade 2 Zinc
20	0311-961214 Crank Assy. #450-#475 No Cover (Aluminum)
21	0820-680216 Washer Lock Inner Tooth 1/4" Zinc

Part No.	Description
22	0825-670889 Screw PH Pan Mach 1/4"-20 x 3/4"
23	0840-618510 Ring Snap 1" External
24	0750-619592 Sprocket 40A16
25	0825-650886 Screw FHSCS 5/16-24 x 3/4" Zinc
26	0311-860740 Ratchet #200-#475
27	0715-619800 Spring Brake Band #200 - #475
28	0311-960739 Brake Band Assy. #200-#475
29	0311-860730 Brake Hub #200-#475
30	0840-618513 Key 6 mm x 2 1/4" Zinc
31	0311-960743 Crank Base Plate Assy. #400-#475
32	0311-860732 Shaft Crank #300-#475
33	0810-650472 Bolt HHCS 1/4" - 20 x 1 1/2" Zinc
34	0311-960736 Brake Handle Assy. #200-#475
35	0840-618511 Ring Snap 1/2" External
36	0311-960728 Pawl Assy. #200-#400
37	0815-660451 Nut Hex. 1/4"-20 Nylon Insert
38	0765-618830 Brake Handle Rubber Grip #200-#475
39	0715-619602 Spring Pawl #200 - #475
40	0311-961816 Crank cover #450-475 Aluminum
41	0311-860596 Crank Cover #400 Steel

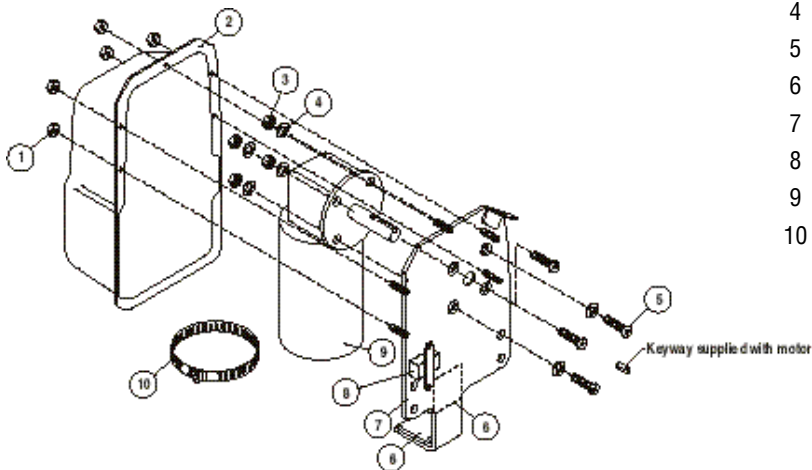
Reverse (counter-clockwise) crank assemblies available.  
Call for Details

# MOTOR ASSEMBLY POWERPRO



## Easy Cover 500/550

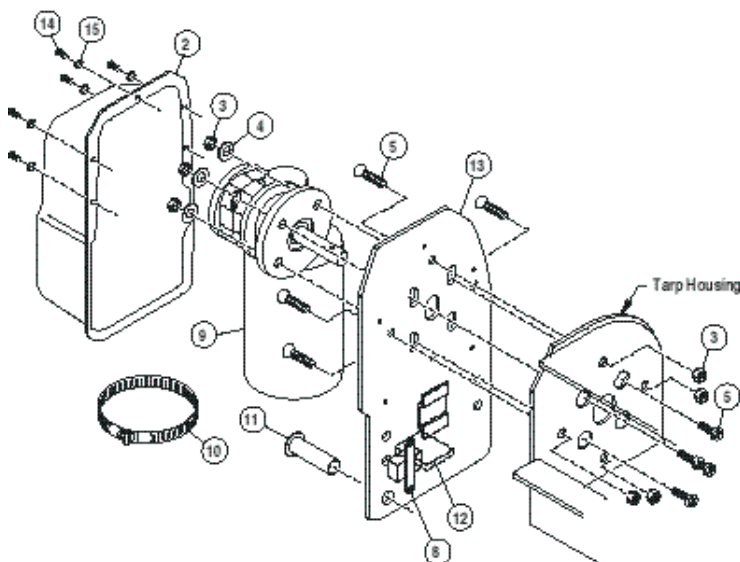
Motor Assembly for Wind Deflector  
Electric Motor Assembly #0311-961811



### Electric Motor Assembly Part List

Part No.	Description
	0311-961811 Motor Assy. PowerPro - W/D
1	0815-660451 Nut Hex. 1/4"-20 Nylon Insert
2	0311-860601 Motor Cover PowerPro Plastic Chrome
3	0815-660660 Nut Hex. 3/8"-16 Nylon Insert
4	0820-680620 Washer Flat 3/8"
5	0825-670957 Screw 3/8" - 16 x 1 1/4"
6	0765-600001 Rubber 1/8" x 2" x 2"
7	0311-962511 Mounting Plate w/studs
8	0755-623510 Circuit Breaker 25 Amp
9	0755-623430 Motor - PowerPro
10	0850-600000 Hose Clamp

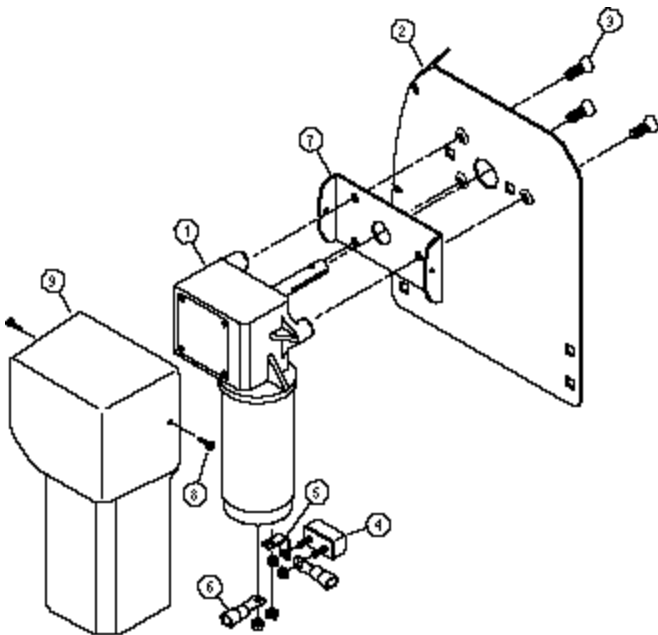
Motor Assembly for Tarp Housing  
Electric Motor Assembly # 0311-961212



### Electric Motor Assembly Part List

Part No.	Description
	0311-961212 Motor Assy. PowerPro - Housing
2	0311-860601 Motor Cover PowerPro Plastic Chrome
3	0815-660660 Nut Hex. 3/8"-16 Nylon Insert
4	0820-680620 Washer Flat 3/8"
5	0825-670957 Screw 3/8" - 16 x 1 1/4"
8	0755-623510 Circuit Breaker 25 amp
9	0755-623430 Motor - PowerPro
10	0850-600000 Hose Clamp
11	0755-624000 Bushing Wire Protector
12	0311-860404 Motor Support Bracket
13	0311-960400 Motor Mount 6"
14	0825-670645 Screw 1/4" x 20 - 1/2"
15	0825-680725 Washer Lock 1/4"

358 Motor Assembly  
Electric Motor Assembly for Wind Deflector  
Motor Assembly for Wind Deflector #0311-961809



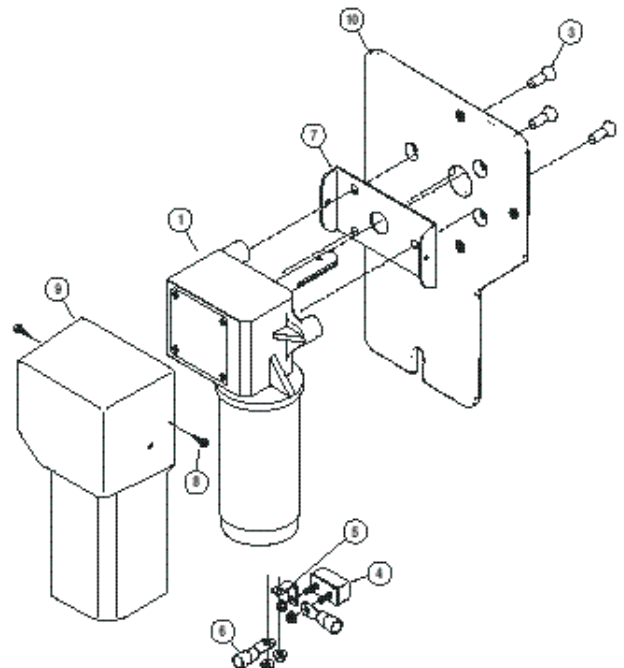
### Electric Motor Assembly Part List

Part No.	Description
0311-961809	PowerPlus Motor Assembly for Wind Deflector
1 0755-960280	Motor-PowerPlus
2 0311-861834	Mounting Plate D.S. #400-#575
3 0825-650887	Screw 5/16"-18 x 7/8"
4 0755-623501	Circuit Breaker 40 Amp
5 0755-623461	Bus Bar Formed 105 Degree
6 0755-626504	Wire End #6 X 1/4 Ring
7 0311-860690	Bracket Motor Cover Mounting
8 0825-670375	Screw #10 x 1/2"
9 0311-860614	Motor Cover PowerPlus Plastic Chrome

Electric Motor Assembly for Tarp Housing Motor  
Assembly for Tarp Housing #0311-962549

### Electric Motor Assembly Part List

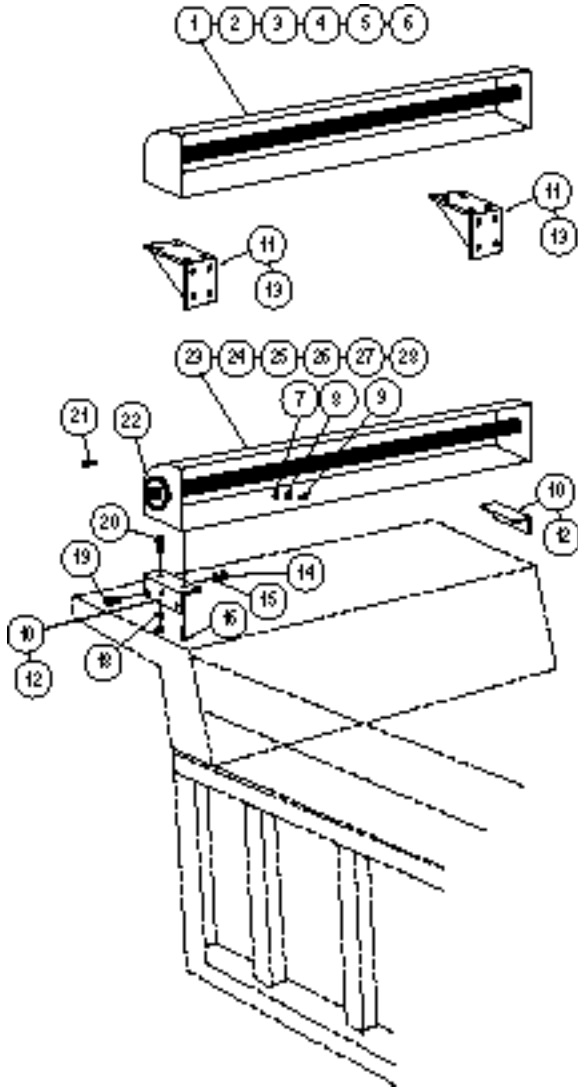
Part No.	Description
0311-962549	PowerPlus Motor Assembly for Tarp Housing
1 0755-960280	Motor-PowerPlus
3 0825-650887	Screw 5/16"-18 x 7/8"
4 0755-623501	Circuit Breaker 40 Amp
5 0755-623461	Bus Bar Formed 105 Degree
6 0755-626504	Wire End #6 X 1/4 Ring
7 0311-860690	Bracket Motor Cover Mounting
8 0825-670375	Screw #10 x 1/2"
9 0311-860614	Motor Cover PowerPlus Plastic Chrome
10 0311-860533	Mounting Plate Electric Housing



# TARP HOUSING



## Easy Cover 400-475, 500-575 Parts List



Part No.	Description
1	0311-961820 Tarp Housing Assy. 6"-92" w/ Electric Roll-Up Bar
2	0311-961822 Tarp Housing Assy. 6"-96" w/ Electric Roll-Up Bar
3	0311-961833 Tarp Housing Assy. 6"-102" w/ Electric Roll-Up Bar
4	0311-961824 Tarp Housing Assy. 9"-92" w/ Electric Roll-Up Bar
5	0311-961826 Tarp Housing Assy. 9"-96" w/ Electric Roll-Up Bar
6	0311-961834 Tarp Housing Assy. 9"-102" w/ Electric Roll-Up Bar
7	0815-660702 Nut Square 1/4"-20 Zinc
8	0820-680725 Washer Split Lock 1/4" Zinc
9	0810-670905 Bolt Phillips Pan Head 1/4"-20 x 1/2"
10	0311-860482 Mounting Truck Bracket- Tarp Housing 6"
11	0311-960445 Mounting Trailer Bracket- Tarp Housing 6"
12	0311-860480 Mounting Truck Bracket- Tarp Housing 9"
13	0311-960440 Mounting Trailer Bracket- Tarp Housing 9"
14	0815-660660 Nyloc Hex Nut 3/8" - 16 Zinc
15	0820-680620 Flat Washer 3/8"
16	0825-670502 Bolt HWH 5/16"-18 x 5/8" Type F Zinc
18	0820-680520 Washer Split Lock 5/16" Zinc
19	0810-670700 Bolt 3/8" - 16 x 1" Grade 5 Zinc
20	0810-650512 Bolt Carriage 5/16"-18 x 1" Grade 2 Zinc
21	0840-618512 Key 1/4" x 1-1/2" Zinc
22	0750-619594 Sprocket 40B30
23	0311-961823 Tarp Housing Assy. 9"-92" w/ Manual Roll-Up Bar
24	0311-961825 Tarp Housing Assy. 9"-96" w/ Manual Roll-Up Bar
25	0311-961832 Tarp Housing Assy. 9"-102" w/ Manual Roll-Up Bar
26	0311-961819 Tarp Housing Assy. 6"-92" w/ Manual Roll-Up Bar
27	0311-961821 Tarp Housing Assy. 6"-96" w/ Manual Roll-Up Bar
28	0311-961831 Tarp Housing Assy. 6"-102" w/ Manual Roll-Up Bar

Reverse (counter-clockwise) tarp housing assemblies available.  
Call for Details



INDIANAPOLIS, IN  
800-535-9545  
317-244-1311

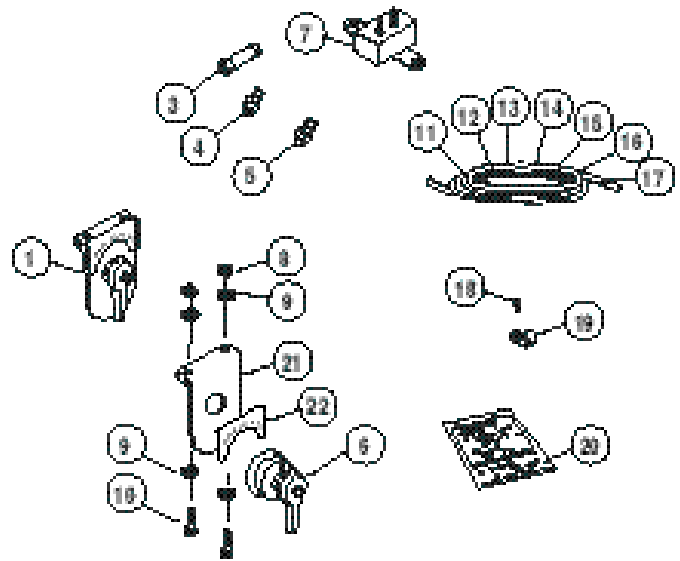
OMAHA, NE  
800-535-8552  
FAX: 402-895-6129

HAMBURG, PA  
800-535-3665  
FAX: 610-562-0340

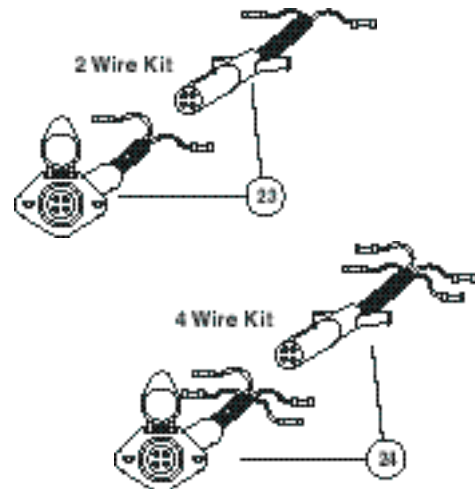
STREETSBORO, OH  
888-237-2262  
FAX: 330-626-3277

BURLINGTON, ON  
800-465-8277  
FAX: 905-335-8499

Part No.	Description
1	0311-960270 Rotary Switch and Bracket Assembly
2	0755-623510 Circuit Breaker 25 Amp
3	0755-626500 Wire Butt Connector #6
4	0755-626507 Wire End #6 x #10 Ring
5	0755-626503 Wire End #6 x 3/8" Ring
6	0755-623456 Rotary Switch
7	0755-623501 Circuit Breaker 40 Amp
8	0815-660451 Nut Hex. 1/4"-20 Nylon Insert
9	0820-680410 Washer Flat 1/4" Zinc
10	0810-600004 Screw Hex Head 1/4" - 20 x 3/4" Zinc
11	0755-626535 Wire #6 Duplex - 50 Feet
12	0755-626536 Wire #6 Duplex - 60 Feet
13	0755-626537 Wire #6 Duplex - 70 Feet
14	0755-626538 Wire #6 Duplex - 80 Feet
15	0755-626539 Wire #6 Duplex - 90 Feet
16	0755-626530 Wire #6 Duplex - 100 Feet
17	0755-626541 Wire #6 Duplex - 110 Feet
18	0825-670551 Screw PH 1/4"-20 x 3/4" Type F
19	0850-603757 Metal Loop Clamp 5/8" I.D.
20	0930-861612 Wiring Diagram
21	1111-860430 Mounting Bracket Switch
22	0920-590400 Decal Rotary Switch



Part No.	Description
23	0755-626453 Plug Quick Disconnect Assy. 2 Wire (Trailer)
24	0755-626456 Plug Quick Disconnect Assy. 4 Wire (Pup & Lead)



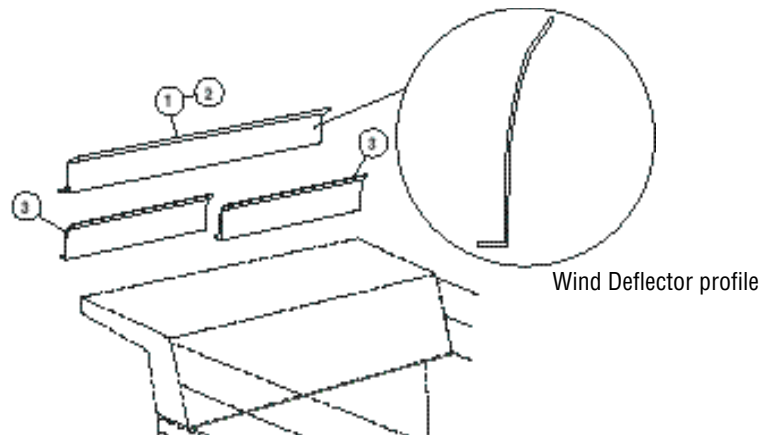
# WIND DEFLECTORS AND END PLATES

**EasyCover**

## Easy Cover 200/250/275-500/525/575 Wind Deflectors

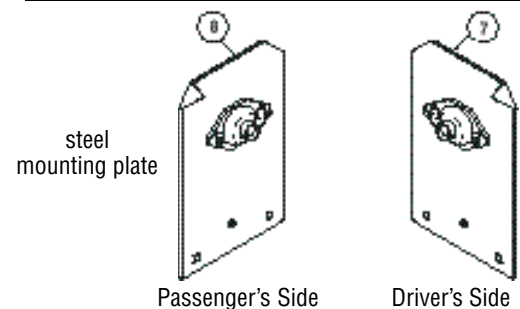
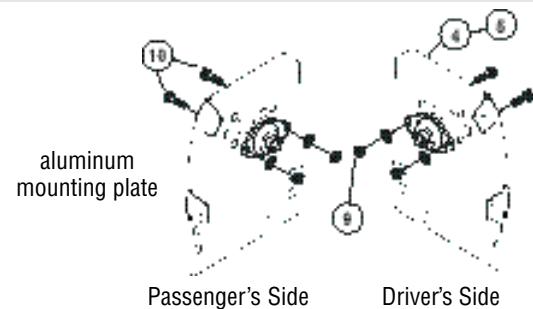
Model 500/550 shown

Part No.	Description
1	0311-861866 Wind Deflector 1 piece 97" - No Lip
2	0311-861867 Wind Deflector 1 piece 97" - With Lip
3	0311-861865 Wind Deflector 54"



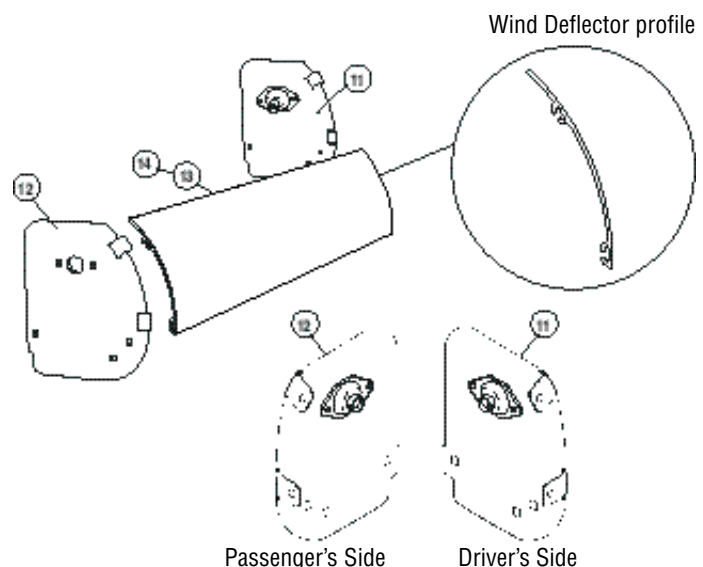
## Easy Cover 500/550/575 Mounting Plates

Part No.	Description
4	0311-961814 Mounting Plate P.S. Alum. #500-#575 (PowerPro Motor)
5	0311-961812 Mounting Plate P.S. Alum. #400-#575 (PowerPlus Motor)
6	0311-961813 Mounting Plate D.S. Aluminum #400-#475
7	0311-960305 Mounting Plate P.S. Steel #100-#500
8	0311-960306 Mounting Plate D.S. Steel #400
9	0815-660660 Nut Hex. 3/8"-16 Nylon Insert
10	0810-670654 Bolt HHCS 3/8"-16 x 1-1/4" Grade 2 Zinc



**New** - No Drilling Required

Part No.	Description
11	0311-961843 Mounting Plate D.S. V2.0 Polished
12	0311-961844 Mounting Plate P.S. V2.0 Polished
13	0311-961845 Wind Deflector V2.0 96" Polished
14	0311-961846 Wind Deflector V2.0 102" Polished



**Aero**  
Industries, Inc.

INDIANAPOLIS, IN  
800-535-9545  
317-244-1311

OMAHA, NE  
800-535-8552  
FAX: 402-895-6129

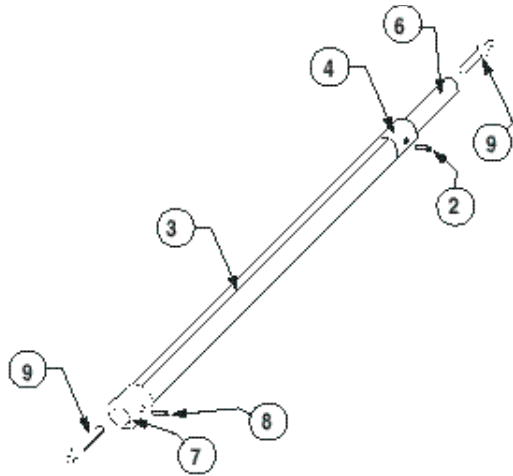
HAMBURG, PA  
800-535-3665  
FAX: 610-562-0340

STREETSBORO, OH  
888-237-2262  
FAX: 330-626-3277

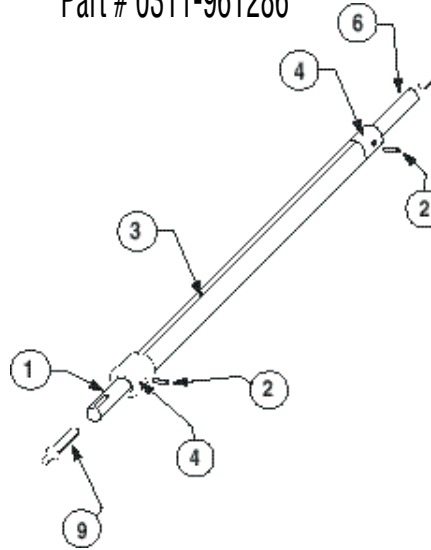
BURLINGTON, ON  
800-465-8277  
FAX: 905-335-8499

© 2001 Aero Industries, Inc.  
US Patent: 5,129,698; 5,174,625 Other US and Foreign Patents Pending.

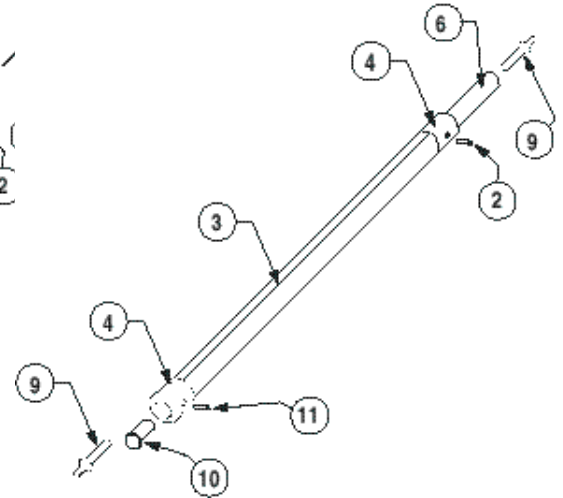
Manual Easy cover 200/250-300/350/375  
 D.S. Female for 1" shaft  
 Part # 0311-961285



Manual Easy Cover 400/450/475  
 D.S. Male 1" shaft  
 Part # 0311-961286



Electric Easy Cover 500/550/575  
 D.S. Female for 3/4" shaft  
 Part # 0311-961287



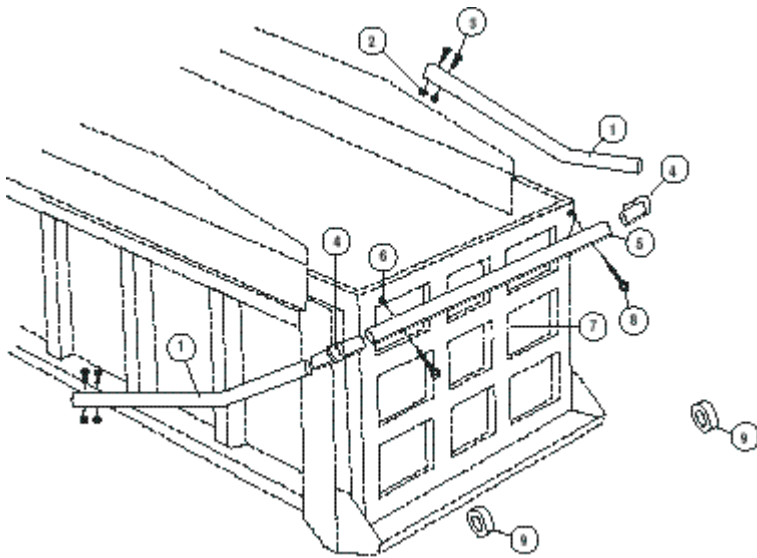
## Roll Bar Assembly Part List

Part No.	Description
0311-961285	Roll Bar Aluminum Assy #200-#375
0311-961286	Roll Bar Aluminum Assy #400-475
0311-961287	Roll Bar Aluminum Assy #500-575
1	0311-860499 Shaft D.S. 1" Roll Bar #400-475
2	0835-691616 Pin Spring 1/4" x 1 5/8" Zinc
3	0311-861422 Roll Bar Alum #100-500
4	0311-861417 Roll Bar P.S. End Bushing for 1" shaft
6	0311-860497 Shaft P.S. Roll Bar #200-575
7	0311-861416 Roll Bar D.S. End Bushing for 1" shaft
8	0825-670576 Screw 1/4" - 20 x 3/8"
9	0845-690115 Anchor Nylon Truss
10	0311-861425 End Bushing Plastic Roll Bar #500-#575
11	0810-650478 Bolt HHCS 1/4 -20 x 2 1/4" Grade 5 Zinc

# NEW ALUMINUM SWING ARMS

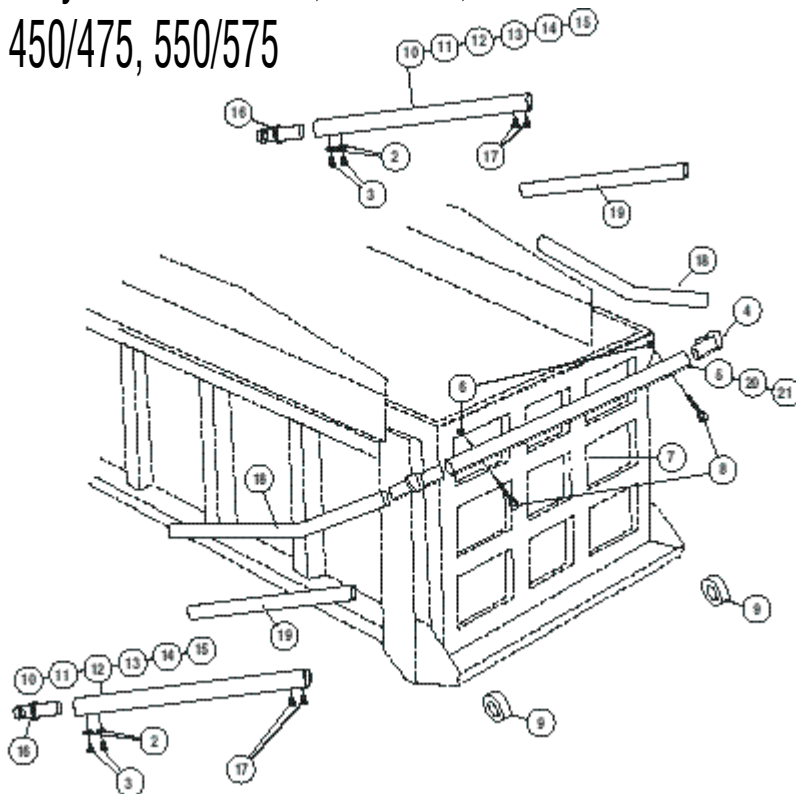
**Easy**  
Cover

Easy Cover 225, 325, 425, 525



Part No.	Description
1	0311-861809 Swing Arm Aluminum Upper 162"
2	0820-680520 Washer Split Lock 5/16" Zinc
3	0810-650101 Bolt HHCS 5/16"-18 x 3/4" Grade 8
4	0311-863010 Swing Arm Aluminum Upper Casting
5	0311-860530 Cross Arm Rear Aluminum 98"
6	0815-660450 Nut Keps 1/4" - 20 Zinc
7	0715-619601 Spring Tension 4"
8	0810-670904 Bolt Eye 1/4" - 20 x 2 1/2" Zinc
9	0311-862268 Rubber Bumper Aluminum Arms

Easy Cover 250/275, 350/375,  
450/475, 550/575



Part No.	Description
2	0820-680520 Washer Split Lock 5/16" Zinc
3	0810-650101 Bolt HHCS 5/16"-18 x 3/4" Grade 8
4	0311-863010 Swing Arm Aluminum Upper Casting
5	0311-860530 Cross Arm Rear Aluminum 98"
6	0815-660450 Nut Keps 1/4" - 20 Zinc
7	0715-619601 Spring Tension 4"
8	0810-650911 Bolt Eye 1/4" - 20 x 2 1/2" Zinc
9	0311-862268 Rubber Bumper Aluminum Arms
10	0311-861802 Swing Arm Aluminum Lower 62"
11	0311-861803 Swing Arm Aluminum Lower 88 5/8"
12	0311-861804 Swing Arm Aluminum Lower 123"
13	0311-861805 Swing Arm Aluminum Lower 150"
14	0311-861806 Swing Arm Aluminum Lower 187"
15	0311-861807 Swing Arm Aluminum Lower 215"
16	0311-864102 Swing Arm Aluminum Undermount End Fitting
17	0810-650617 Bolt HHCS 3/8"-16 x 1/2" Grade 5 Zinc
18	0311-861801 Swing Arm Aluminum Upper 54-1/8" Bent
19	0311-861809 Swing Arm Aluminum Upper 54-1/8" Straight
20	0311-860531 Cross Arm Rear Aluminum 104"
21	0311-860532 Cross Arm Rear Aluminum 110"

**Aero**  
Industries, Inc.

12

INDIANAPOLIS, IN  
800-535-9545  
317-244-1311

OMAHA, NE  
800-535-8552  
FAX: 402-895-6129

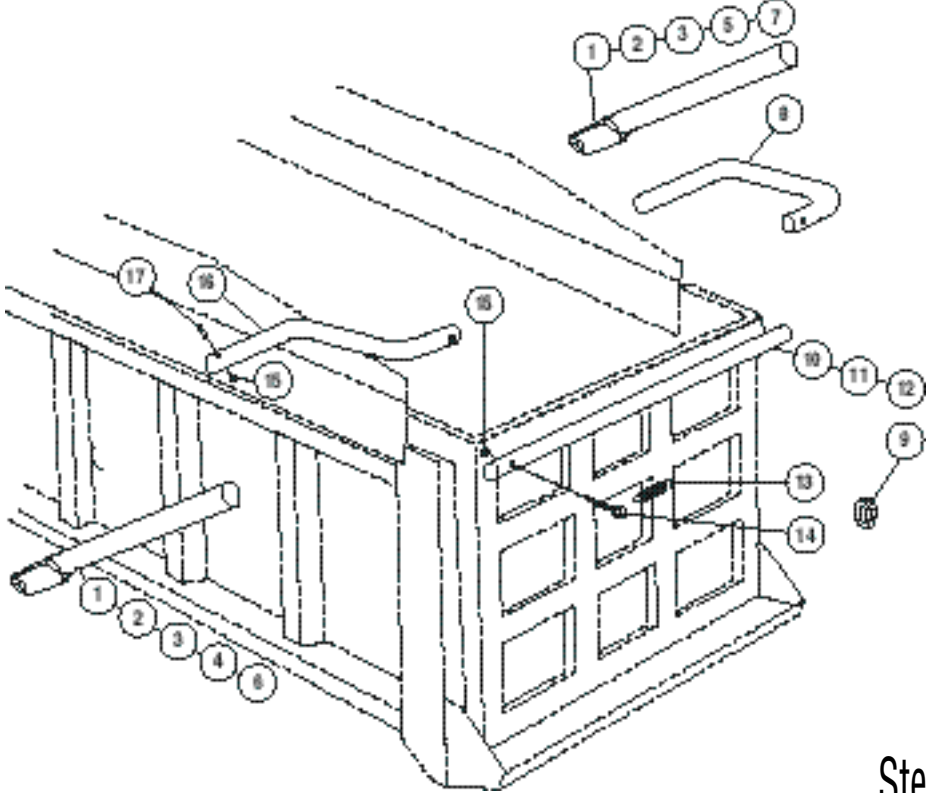
HAMBURG, PA  
800-535-3665  
FAX: 610-562-0340

STREETSBORO, OH  
888-237-2262  
FAX: 330-626-3277

BURLINGTON, ON  
800-465-8277  
FAX: 905-335-8499

Easy Cover 200, 300, 400, 500  
Steel Arms

Steel Swing Arms  
Available only with undermount and  
underbody spring.



## Steel Arms Parts List

Part No.	Description
1	0311-960280 Swing Arm Steel Undermount 10'-13' D.S. or P.S.
2	0311-960281 Swing Arm Steel Undermount 14'-17' D.S. or P.S.
3	0311-960282 Swing Arm Steel Undermount 18'-21' D.S. or P.S.
4	0311-960283 Swing Arm Steel Undermount 22'-25' D.S.
5	0311-960232 Swing Arm Steel Undermount 22'-25' P.S.
6	0311-960284 Swing Arm Steel Undermount 26'-28' D.S.
7	0311-960233 Swing Arm Steel Undermount 26'-28' P.S.
8	0311-860590 Connecting Arm P.S. Steel
9	0311-862260 Rubber Bumper Steel Arms

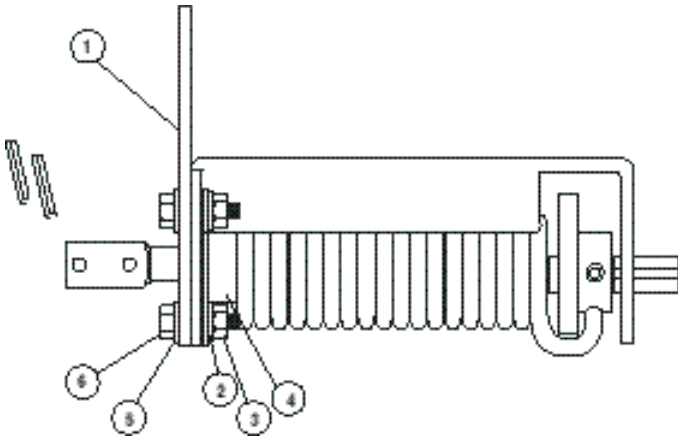
Part No.	Description
10	0311-860591 Cross Arm Rear Steel 92"
11	0311-860574 Cross Arm Rear Steel 104"
12	0311-860574 Cross Arm Rear Steel 110"
13	0715-619601 Spring Tension 4"
14	0810-650911 Bolt Eye 1/4" - 20 x 2 1/2" Zinc
15	0815-660450 Nut Keps 1/4" - 20 Zinc
16	0311-860589 Connecting Arm D.S. Steel
17	0810-670454 Bolt HHCS 1/4"-20 x 2-1/2" Grade 2 Zinc

# SPRING ASSEMBLIES



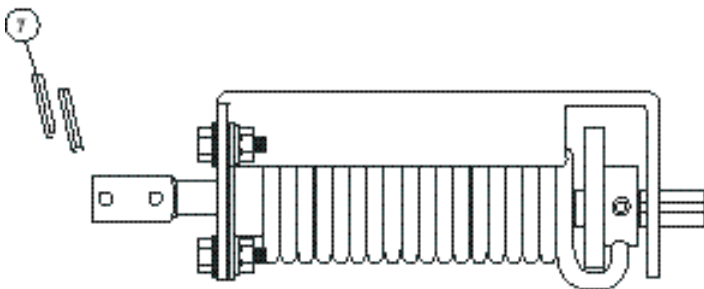
Easy Cover 200/250-500/550

## Spring Undermount Assembly



Part No.	Description
0311-960344	Spring Undermount Assy. D.S. 1/2"
0311-960346	Spring Undermount Assy. D.S. 5/8"
0311-960345	Spring Undermount Assy. P.S. 1/2"
0311-960347	Spring Undermount Assy. P.S. 5/8"
1 0311-860461	Mounting Plate Steel UM Spring
2 0820-680510	Washer Flat 5/16" Zinc
3 0815-660660	Nut Hex 3/8" - 16
4 0825-650883	Screw FHSCS 3/8" - 1
5 0820-680620	Washer Flat 3/8"
6 0810-670650	Bolt HHCS 3/8" - 16 x 1/2" Grade 2

## Spring Underbody Assembly

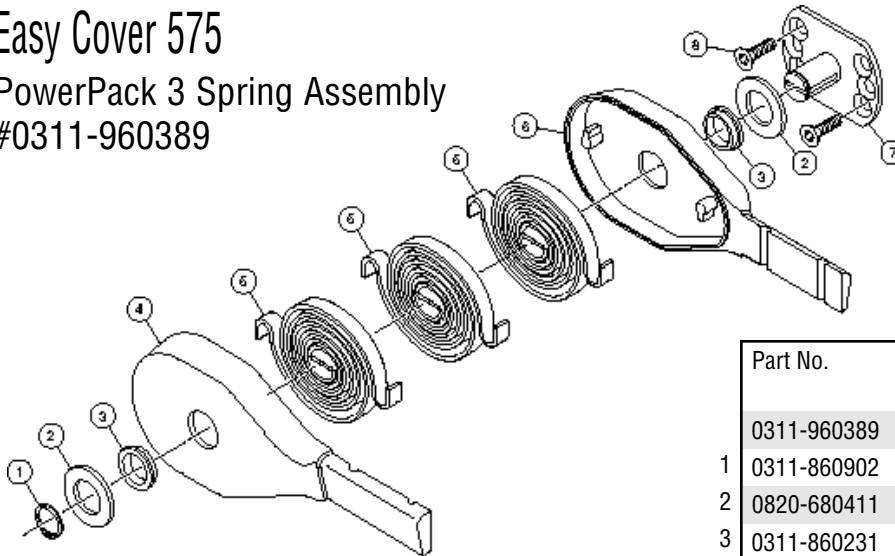


Part No.	Description
0311-960340	Spring Underbody Assy. D.S. 1/2"
0311-960342	Spring Underbody Assy. D.S. 5/8"
0311-960341	Spring Underbody Assy. P.S. 1/2"
0311-960343	Spring Underbody Assy. P.S. 5/8"
7 0835-691616	Spring Pin 1/4" x 1 5/8"



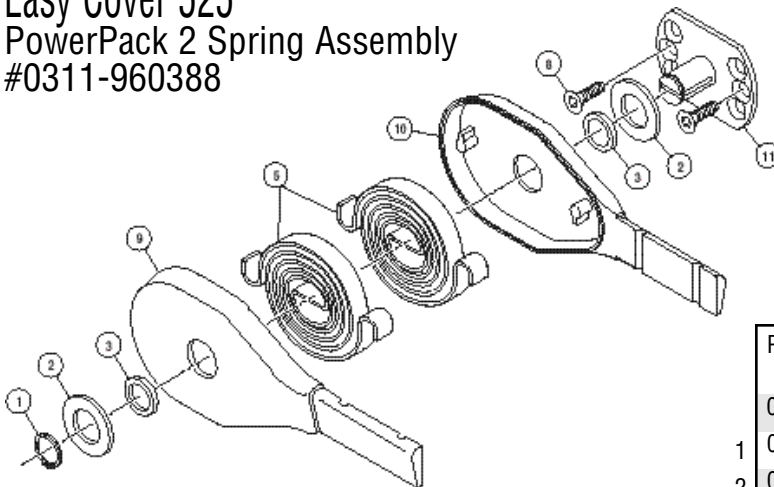
## PowerPack Spring for 525 and 575

Easy Cover 575  
PowerPack 3 Spring Assembly  
#0311-960389



Part No.	Description
0311-960389	PowerPack 3 Spring Assembly
1 0311-860902	Spring PowerPack Retaining Ring
2 0820-680411	Washer Flat 1-1/4" x 1-7/8" Machine Bushing
3 0311-860231	Spring PowerPack Bushing
4 0311-861813	Spring PowerPack 575 Casting - Outer
5 0715-619450	Spring PowerPack Spiral
6 0311-861814	Spring PowerPack 575 Casting - Inner
7 0311-860909	Spring PowerPack 575 Mounting Bracket
8 0825-660852	Screw FHSCS 1/2" x 1-3/4"

Easy Cover 525  
PowerPack 2 Spring Assembly  
#0311-960388



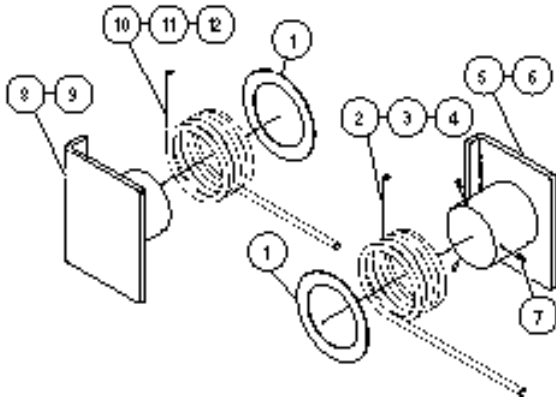
Part No.	Description
0311-960388	PowerPack 2 Spring Assembly
1 0311-860902	Spring PowerPack Retaining Ring
2 0820-680411	Washer Flat 1-1/4" x 1-7/8" Machine Bushing
3 0311-860231	Spring PowerPack Bushing
5 0715-619450	Spring PowerPack Spiral
8 0825-660852	Screw FHSCS 1/2" x 1-3/4"
9 0311-861817	Spring PowerPack 525 Casting - Outer
10 0311-861818	Spring PowerPack 525 Casting - Inner
11 0311-860908	Spring PowerPack 525 Mounting Bracket

# DISCONTINUED KIT PARTS



## Easy Cover 200/250-500/550

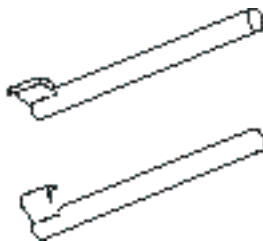
Sidemount Spring 10-13' D.S. #0715-619701  
 Sidemount Spring 10-13' P.S. #0715-619702  
 Sidemount Spring 14-21' D.S. #0715-619567  
 Sidemount Spring 14-21' P.S. #0715-619569  
 Sidemount Spring 22-28' D.S. #0715-619568  
 Sidemount Spring 22-28' P.S. #0715-619552



## Sidemount Spring Assembly

Part No.	Description
1	0311-860593 Spring Sidemount Retaining Ring
2	0715-619701 Spring Sidemount 10'-13' D.S.
3	0715-619567 Spring Sidemount 14'-21' D.S.
4	0715-619568 Spring Sidemount 22'-32' D.S.
5	0311-960286 Spring Sidemount Base Assy. 10'-21' D.S.
6	0311-960287 Spring Sidemount Base Assy. 22'-28' D.S.
7	0835-691700 Pin Spring 1/4" x 3/4"
8	0311-960235 Spring Sidemount Base Assy. 10'-21' P.S.
9	0311-960236 Spring Sidemount Base Assy. 22'-28' P.S.
10	0715-619702 Spring Sidemount 10'-13' P.S.
11	0715-619569 Spring Sidemount 14'-21' P.S.
12	0715-619552 Spring Sidemount 22'-32' P.S.
13	0311-860448 Spring Sidemount Key Tapped

## Swing Arms Easy Cover 200/250 to 500/550



## 200- 500 Steel Swing Arm

Part No.	Description
0311-960288	Swing Arm Steel Sidemount 10'-13' D.S.
0311-960294	Swing Arm Steel Sidemount 10'-13' P.S.
0311-960289	Swing Arm Steel Sidemount 14'-17' D.S.
0311-960295	Swing Arm Steel Sidemount 14'-17' P.S.
0311-960290	Swing Arm Steel Sidemount 18'-21' D.S.
0311-960296	Swing Arm Steel Sidemount 18'-21' P.S.
0311-960291	Swing Arm Steel Sidemount 22'-25' D.S.
0311-960297	Swing Arm Steel Sidemount 22'-25' P.S.
0311-960292	Swing Arm Steel Sidemount 26'-28' D.S.
0311-960298	Swing Arm Steel Sidemount 26'-28' P.S.
0311-960249	Saddle Assembly



# DISCONTINUED KIT PARTS

Easy Cover 200/250-500/550

## Electrical Hardware

	Part No.	Description
1	0755-623426	Motor SW winch
2	0755-623427	Motor winch SW w/torque
3	0750-619589	Torque limiter
4	0755-623431	Motor SW right angle 6011





# Easy Cover



INDIANAPOLIS, IN  
3010 West Morris St.  
Indianapolis, IN 46241  
800-535-9545  
317-244-1311

OMAHA, NE  
I-80 & Highway 50 South  
Omaha, NE 68137  
800-535-8552  
FAX: 402-895-6129

HAMBURG, PA  
2nd & Grand  
Hamburg, PA 19526  
800-535-3665  
FAX: 610-562-0340

STREETSBORO, OH  
8540 State Route 14  
Streetsboro, OH 44241  
888-237-2262  
FAX: 330-626-3277

BURLINGTON, ON  
3474 Mainway Drive  
Burlington, ON L7M 1A8  
800-465-8277  
FAX: 905-335-8499

